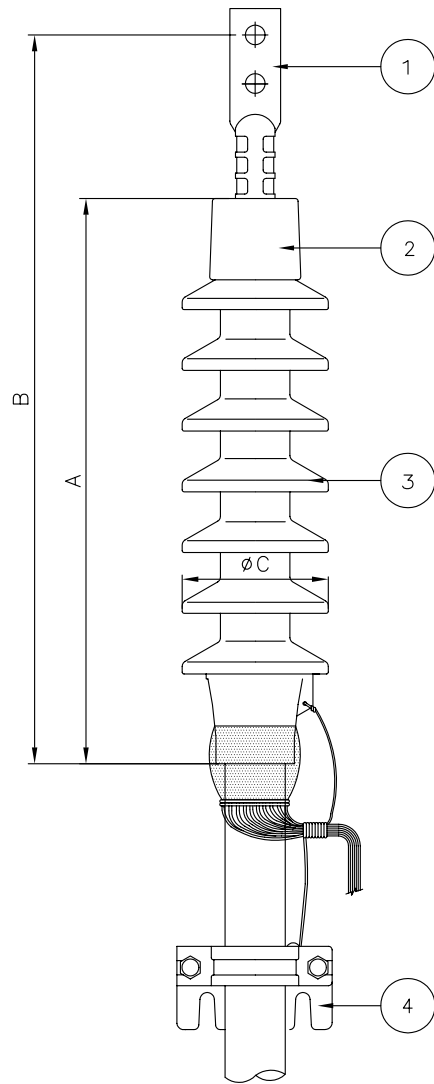
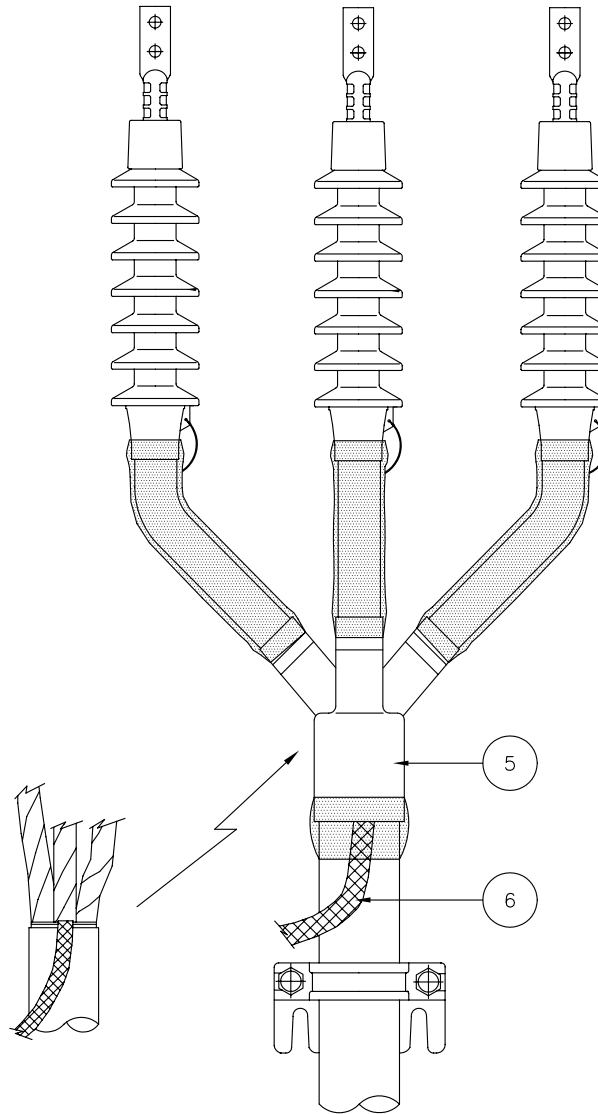


1 CORE



3 CORE



Symbol	A	B	ØC	Insulation Range	
				Min	Max
G	300	440	72.0	21.0	23.5
J				23.0	25.0
N				25.5	28.0
JA			77.5	28.5	31.0

NOTE

1. 일반공차 : ±5%

6	Copper Braid	Copper Alloy			
5	Trifurcating Groove	EPDM Rubber			
4	Bracket	-			
3	Housing	EPDM Rubber			
2	Rain Cap	EPDM Rubber			
1	Terminal Lug	Copper Alloy			
NO	DESCRIPTION	MATERIAL	Q'TY	DWG. NO	REMARK

이 자료는 평일산업주식회사의  
산업재산권이므로, 무단복사 또는  
타인에게 유포할 수 없습니다.  
PYUNG-IL INDUSTRIAL CO.,LTD.  
PROPRIETARY RIGHTS

DATE	RVSD BY	REVISED CONTENTS

UNIT	mm
SCALE	1:1(A3)
PROJ.	3RD ANGLE
DATE	1997.10.28

DSGN BY	CHKD BY	APPD BY
K.S. CHOI		

TITLE	25SMT FOR 중단접속재		
DWG NO	PIS00705	REV NO	0
REF NO	-	SHT NO	/