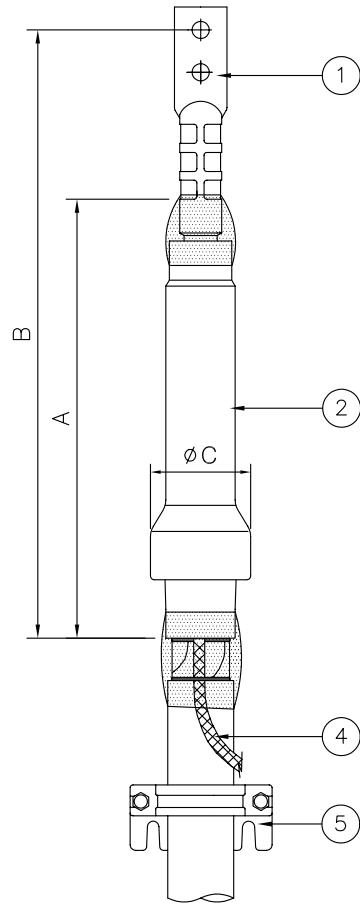
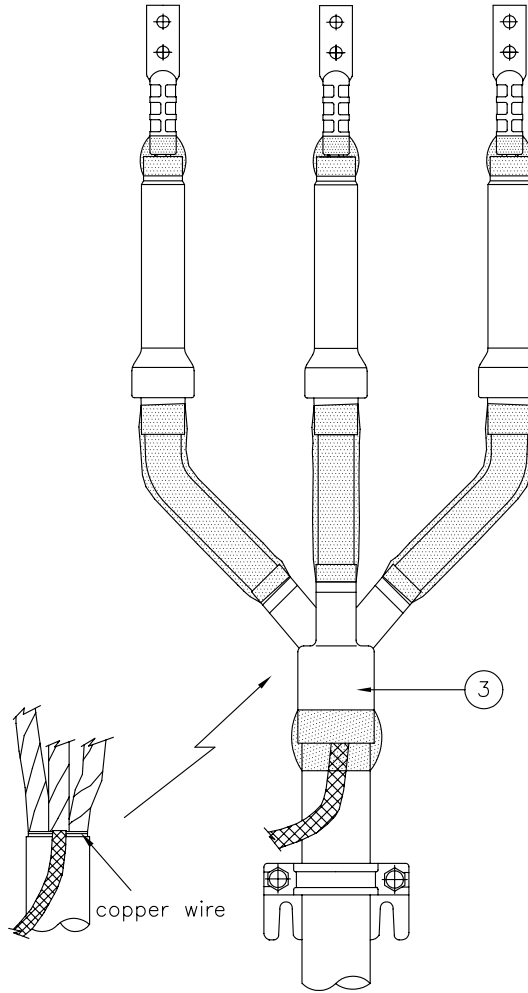


1 CORE



3 CORE



Symbol	A	B	ØC	Insulation Range	
				Min	Max
EB	200	317	31.7	11.0	14.0
EF				12.5	15.5
FA			32.8	14.0	17.0
FAB			34.6	15.5	18.5
GA			36.6	18.5	21.5
GH	210	347	40.3	21.5	24.5
HA		344	46.6	24.5	27.5
HJ		374	46.6	26.5	29.0
JA			52.0	29.5	32.0
JAB		54.7	32.0	35.0	
JB		57.4	35.0	38.0	

NOTE

1. 일반공차 : ±5%

5	Bracket	-			
4	Copper Braid	Copper Alloy			
3	Trifurcating Groove	EPDM Rubber			
2	Housing	EPDM Rubber			
1	Terminal Lug	Copper Alloy			
NO	DESCRIPTION	MATERIAL	Q'TY	DWG. NO	REMARK

이 자료는 평일산업주식회사의
산업재산권이므로, 무단복사 또는
타인에게 유포할 수 없습니다.
PYUNG-IL INDUSTRIAL CO.,LTD.
PROPRIETARY RIGHTS

DATE	RVSD BY	REVISED CONTENTS	UNIT	mm		TITLE	6SIT FOR 6.6 kV 종단접속재				
			SCALE	1:1(A3)			DSGN BY	CHKD BY	APPD BY	DWG NO	PIS02507
			PROJ.	3RD ANGLE	K.S. CHOI			REF NO	-	SHT NO	/
			DATE	2001.08.08.							